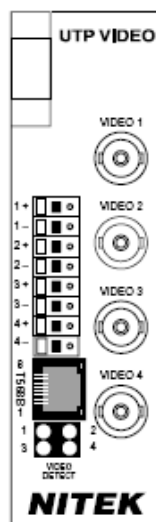




TR515X4 TR560X4

TR515x4 Unshielded Twisted Pair (UTP) transmission up to 500 m
TR560x4 Unshielded Twisted Pair (UTP) transmission up to 1000 m
up to 6,000 ft with active transmitters

Units for Modular Twisted Pair Video System



Receiver Card

Description

The TR515x4 and TR560x4 Modular Cards are designed for use with the Modular Rack System. The system holds up to ten (10) Modular cards in any combination, using the RK400 card cage (not included). This modular "plug-in" feature allows the system to be custom configured for each application and provides easy expandability.

Both the TR515x4 and TR560x4 are designed for operation over category 2, 3, 4 or 5 twisted pair cable. The systems work equally well over existing communication and computer network spare pairs or new cable installations. A highly balanced transmitter output design assures that the system will not interfere with other equipment on the network. Advanced receiver electronics provide complete immunity from ground loop, hum and noise to produce maximum video quality with minimum loss. A dip switch on the receiver unit provides incremental adjustment of gain and frequency compensation to allow the system to be "fine-tuned" for an existing cable. This unique feature provides adjustment for optimum performance over the entire operating range and also allows cable length to be estimated with a wide safety margin. The TR515x4 and TR560x4 include only the receiver card. See Ordering Information on reverse side for transmitter units.



Features

- Active electronics compensate for frequency and level loss
- Built-in protection from power surge, transients, static or other electrical interference
- High resolution color or monochrome video
- Complete immunity to ground loop; video and AC can be run in a common raceway, where code allows
- Video detect LED's for each receiver
- RJ45 or push terminals for easy connection

Applications

Elevators - making traveling coax unnecessary

High Rise Buildings - between floors

Detention Facilities - using existing twisted pairs

Campus Facilities - where running coax or fiber is difficult and expensive

TECHNICAL SPECIFICATION

Receiver Unit (4 per card)

Size	1 card slot in Modular Rack
Power Requirements	Card powered by Modular Rack
Input	(4) Balanced low voltage current loops
Output	(4) 1 vpp composite videos of Monochrome or Color
Common Mode Rejection	>70dB

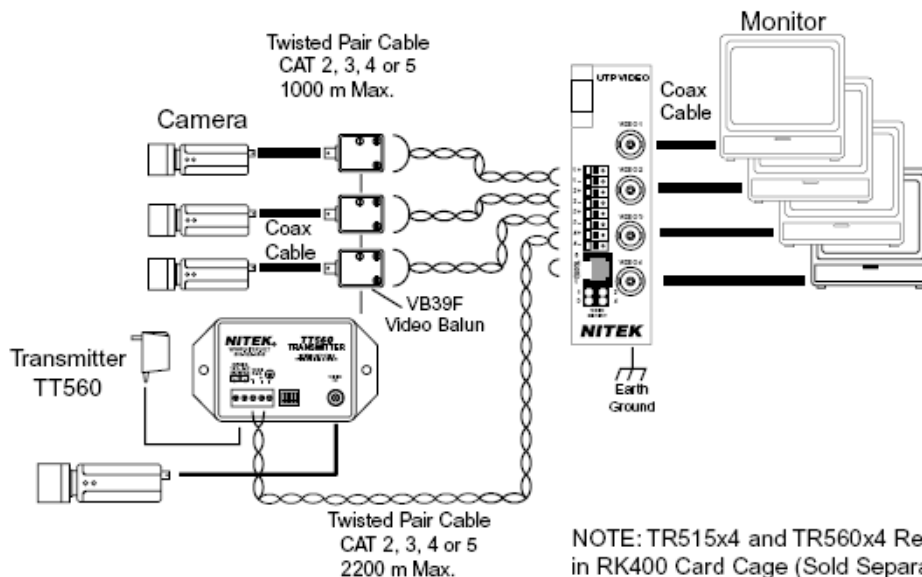
Ordering Information		
Part	Description	For Transmitter - Use
TR515x4	Quad Receiver Card, up to 350 m	VB37F, VB37M, VB39F, VB39M, VB41x4, VH1639
TR560x4	Quad Receiver Card, up to 1000 m	VB37F, VB37M, VB39F, VB39M, VB41x4, VH1639
	Quad Receiver Card, 225 to 2200 m	TT560
TS515x4	Quad UTP Transmission System, up to 500 m	Includes (4) VB37F Transmitters
TS560x4	Quad UTP Transmission System, up to 1000 m	Includes (4) VB37F Transmitters
RK400	Modular Rack Cabinet for 10 cards	N/A

Note: TR515x4 and TR560x4 receivers will also operate with all models of twisted pair-equipped cameras.

Stand alone systems are also available.

Wire and Cable Recommendations

Twisted Sender is recommended for use with **unshielded twisted pair** (UTP) wiring. The systems will operate over wire gauges from 26AWG through 12AWG but are optimized for 24AWG. Category 2, 3, 4 or 5 cable may be used. Individually shielded pairs should be avoided, as they drastically reduce the operating range of the systems. Multi-pair cable with an overall shield is acceptable. Video can be operated in the same communication cable coexistent with telephone, computer, control signals, power voltages and other video signals. While video may be routed through telephone punch down block terminals, any bridge-taps, also called T-taps and any resistive, capacitive or inductive devices **MUST BE** removed from the pair. For more specific information regarding wire types, gauges and proper installation techniques, please call +31 (0)320 - 230005 for technical assistance. More information is also available on the CCTV System Design Guide Sheet.



NOTE: TR515x4 and TR560x4 Receiver Cards mount in RK400 Card Cage (Sold Separately). The RK400 can hold up to 10 modular cards in any combination. VB39F and TT560 transmitters sold separately.